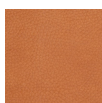


Wyatt Sling Chair



Sorrel
Havana
Leather

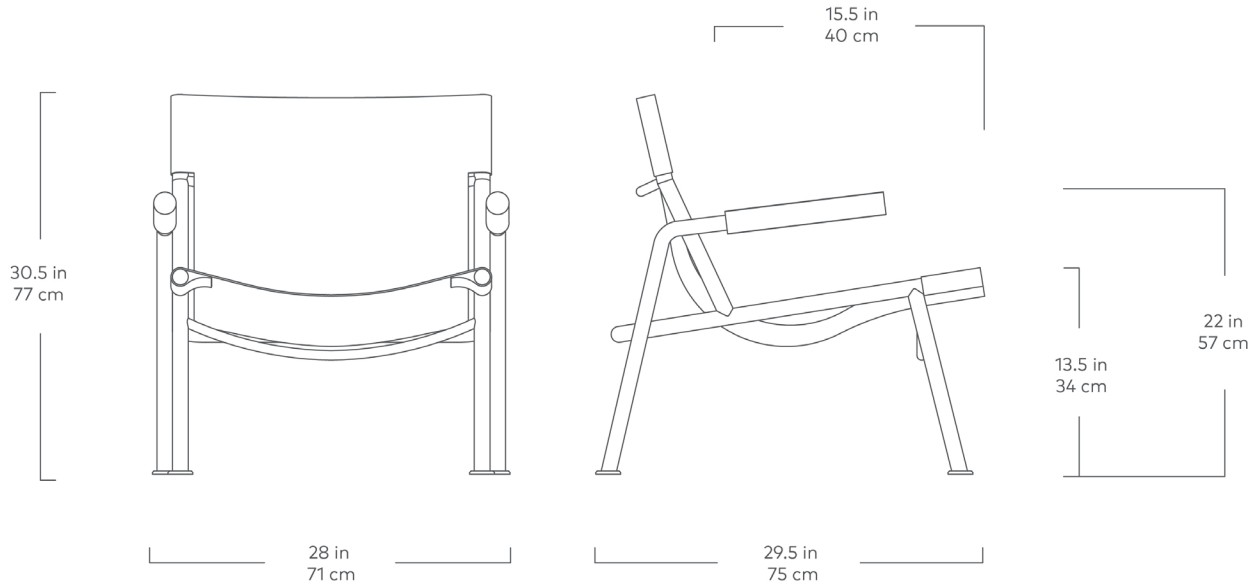
The Wyatt Sling Chair marries high-design with honest, raw materials to showcase an original design that's engineered for comfort. Suspended over an ergonomic black metal frame with contrasting solid wood arm rests, the vegetable-tanned leather sling creates a sculptural shape that is infinitely inviting. Using age-old techniques and chemical-free, eco-friendly dyes, the tanning process results in a soft leather that cradles the body. Over time, the sling will darken and develop a distinctive, natural patina that adds to this chair's singular charm. A versatile statement-maker, Wyatt is destined to be a household or workplace classic.

Design Trade Professionals: We aim to keep our designs in stock and ready to ship quickly for projects on a tight timeline. Designs may be customized with COM and alternate finishes (minimum quantities may apply).





Wyatt Sling Chair



- 100% vegetable tanned belt-leather sling.
- Tanned leather will gradually darken from a light tan to rich caramel over a period of 6-12 months and the rate of change will vary with exposure to sunlight.
- Tanned leather will change colour in areas that are exposed to water or oil from hands. This is normal and over time will contribute to a rich patina that makes the chair unique.
- Leather sling will soften over time with use.
- Our leathers may have distinct surface characteristics, natural markings, and colour variations which differ from hide to hide and from one product to another, making each leather product unique.
- Tubular, powder-coated steel frame construction.
- Felt pads on feet to prevent floor damage.
- Solid wood arms are 100% FSC® Certified Ash, in support of responsible forest management (FSC® 092551).
- Wood is a natural material, with variations in grain pattern and colour that make each design unique.



Gus*



PROFESSIONALS

rypen
STUDIO

Register for Our Exclusive
Project Builder + Ordering Platform

